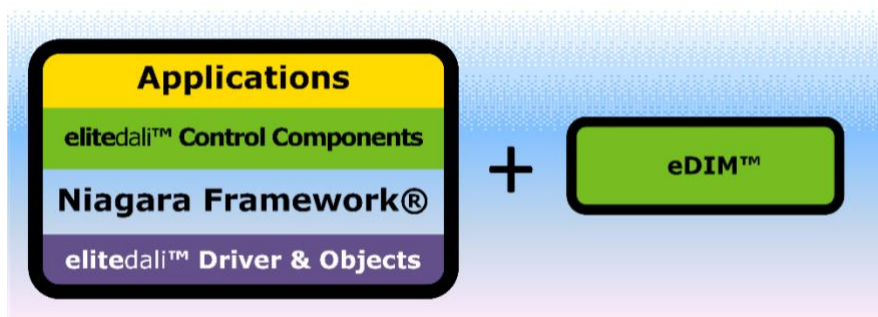


## Introduction



**elitedali** Multidrop for Niagara, is an interface module which transforms any controller running Tridium's Niagara Software Framework into a smart IoT convergent lighting commissioning and control product. It enables such platforms running **elitedali** to have all the functionality necessary to allow the commissioning, control, management, monitoring and analytics of any intelligent addressable DALI light fixtures, in real-time, from anywhere.

The **elitedali** Multidrop Connectivity kit transforms suitable control platforms running the Niagara Framework to seamlessly connect to DALI networks directly available RS-485 serial ports and comprises:-



Each **elitedali\*** Connectivity Kit consists of -

- elitedali interface hardware module - eDIM
- Native Niagara DALI interface driver software
- “kitControl” components library

Enables the full addressing, commissioning, control, management, visualisation and analytics of one DALI network of up to 64 DALI devices.

## elitedali Niagara Driver Software Specification

- Follows all development guidelines and standards set by Niagara Software Framework
- Native Niagara driver for Niagara4 version 4.1 onwards
- Uses device modelling so **NO** I/O mapping, labelling or enumeration checking required
- Capability to create simple and complex control strategies for a DALI lighting system via specific lighting control components “kitControl” library
- Integrates with all Niagara services including but not limited to reporting, tagging, scheduling, alarming etc..
- Supports a full 64 Open Standard DALI IEC 62386 devices on a single DALI network

## elitedali Lighting Control Component Software

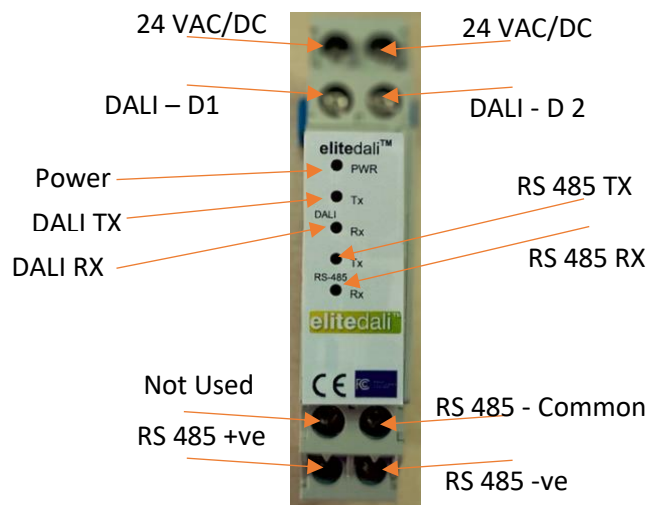
Included with every **elitedali** Connectivity Kit is a “kitControl” library of licensed software control components. This allows a suitably qualified System Integrator quickly, simply and reliably to create lighting control strategies that reduce energy usage and create a modern comfortable environment.

### *Control Components included in elitedali*

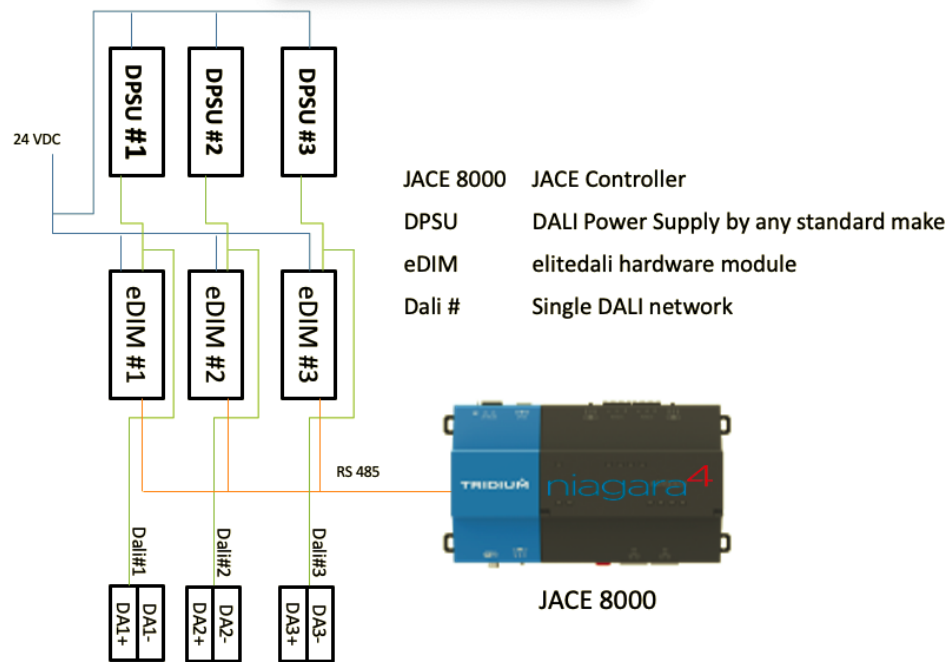
- Constant Light Controller Direct
- Occupancy Controller Direct
- Occupancy Controller Command
- Scene Select Command
- Simple Command Controller
- Simple Direct Level Controller
- Occupancy Timeout
- Occupancy Concentrator
- Lux Concentrator
- Scene Dimmer Direct
- Scene Dimmer Override Direct
- On-Off Dimmer Override Direct
- Single Switch Override Direct

These components enable the System Integrator to reliably build complex highly granular control strategies quickly and simply. Thus, enabling Estate Managers, Building Supervisors, Facilities Managers, Clients and Users to manage their own environment both locally and remotely via any suitable interface including smart mobile.

## elitedali DALI® Interface Module(eDIM) - Hardware Specifications



## eDIM – JACE Connection Diagram



eDIM – JACE 8000 connection diagram

### eDIM hardware module - Technical Data –Electrical

Supply Voltage	24V AC/ DC, ±10%
Isolation	3KV
Power consumption	40mA minimum @ 24VDC
DALI network must be operating via an independent suitable DALI power supply source	9.5 V to 22V DC
Serial Connection	Standard 3- Wire RS-485, 100cm minimum
Serial Network Termination	Available Option on Request.

### Technical Data –Environmental

Operating temperature range	0..+50 °C
Storage temperature range	-20...+85 °C
Relative humidity	5...90 % rel. annual average (non- condensing) (pollution degree1)
Environmental protection	*IP 54 (housing)

### Technical Data –Mechanical

Mounting	DIN rail, type NS35/17.5 (35mm x 17.5mm)
Screw Terminal Torque Settings	0.5 to 0.7Nm minimum
Serial network connection	3 x Polarity dependent Screw Terminals 0.2...2.5 mm <sup>2</sup> (stranded), 0.2...4.0 mm <sup>2</sup> (solid)
DALI Network connection	2 x Polarity independent screw terminals, 0.2...2.5 mm <sup>2</sup> (stranded), 0.2...4.0 mm <sup>2</sup> (solid)
24V AC/DC module power connection	2 x Polarity independent screw terminals, 0.2...2.5 mm <sup>2</sup> (stranded), 0.2...4.0 mm <sup>2</sup> (solid)
Physical Dimensions ( L X B X H)	18 mm X 59 mm X 89.50 mm

### Conformity & Standards

CE & FCC	
----------	--

## elitedali Order details

**Description:**

**elitedali Multidrop Connectivity Kit/N4**  
**Licensed software Upgrade Pack**

**Part No:**

**elitedali-DCK/M/N4**  
**elitedali.LUP/M/N4**

Leap can also supply elitedali DALI compatible Presence, Light level, Relay, Repeater and Power Supply products [Click here](#) for more details.

**Contact Details**

**Leap Info Systems Pvt. Ltd.**

6, Atharv, Vidhate Colony, Off D.P.Road,  
Aundh, Pune, India - 411007  
E-mail: [elitedali@leapinfosys.com](mailto:elitedali@leapinfosys.com)